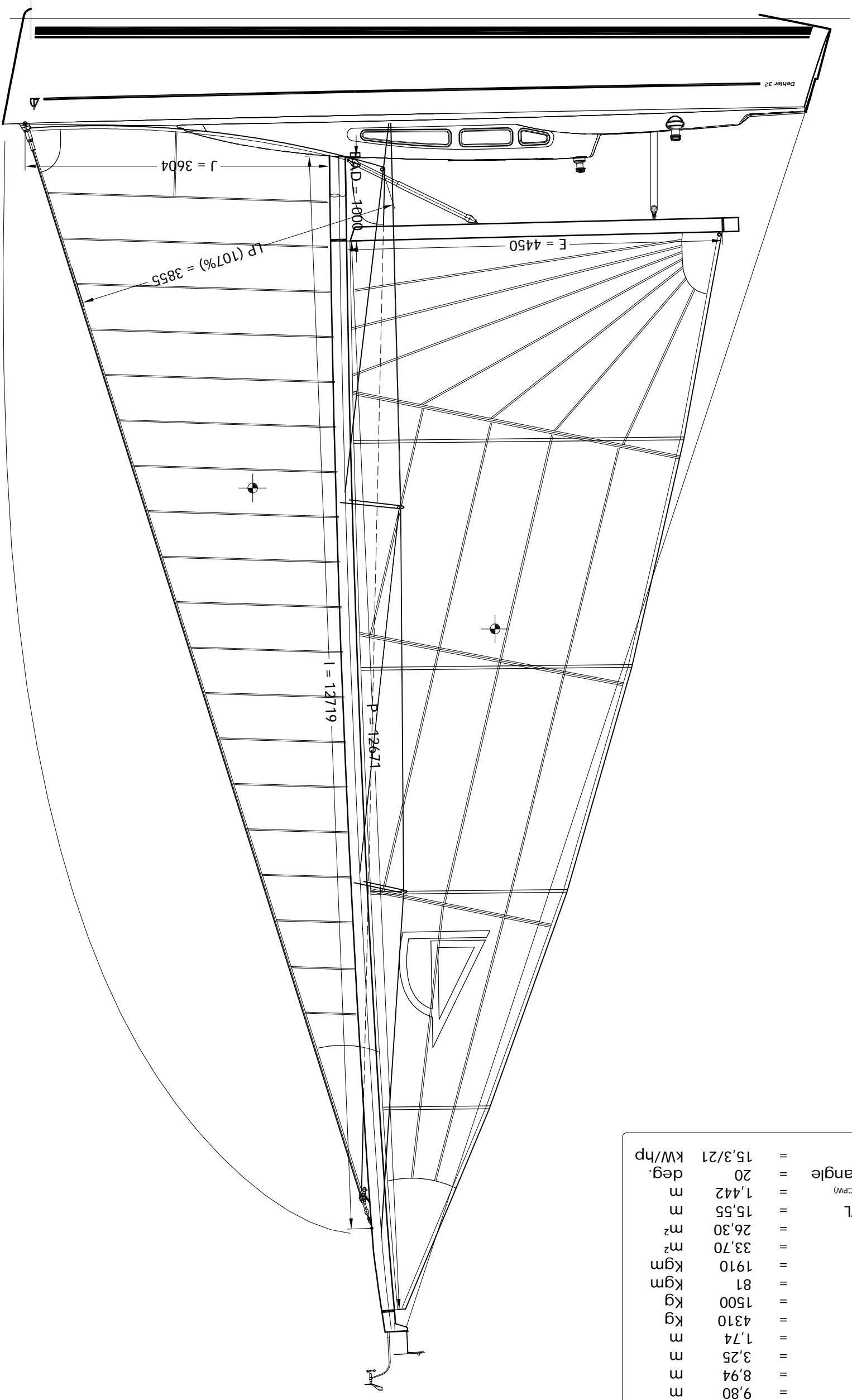


L ^(null)	=	9,80	m
Lwl	=	8,94	m
Beam	=	3,25	m
Draft	=	1,74	m
Displ. ^(micc)	=	4310	kg
Ballast	=	1500	kg
RM @ 1°	=	81	kgm
RM @ 30°	=	1910	kgm
Mainsail	=	33,70	m ²
Jib ^(107%)	=	26,30	m ²
Mast top-DWL	=	15,55	m
Chain Plate ^(CPW)	=	1,442	m
Sweepback angle	=	20	deg.
Engine	=	15,3/21	kW/hp



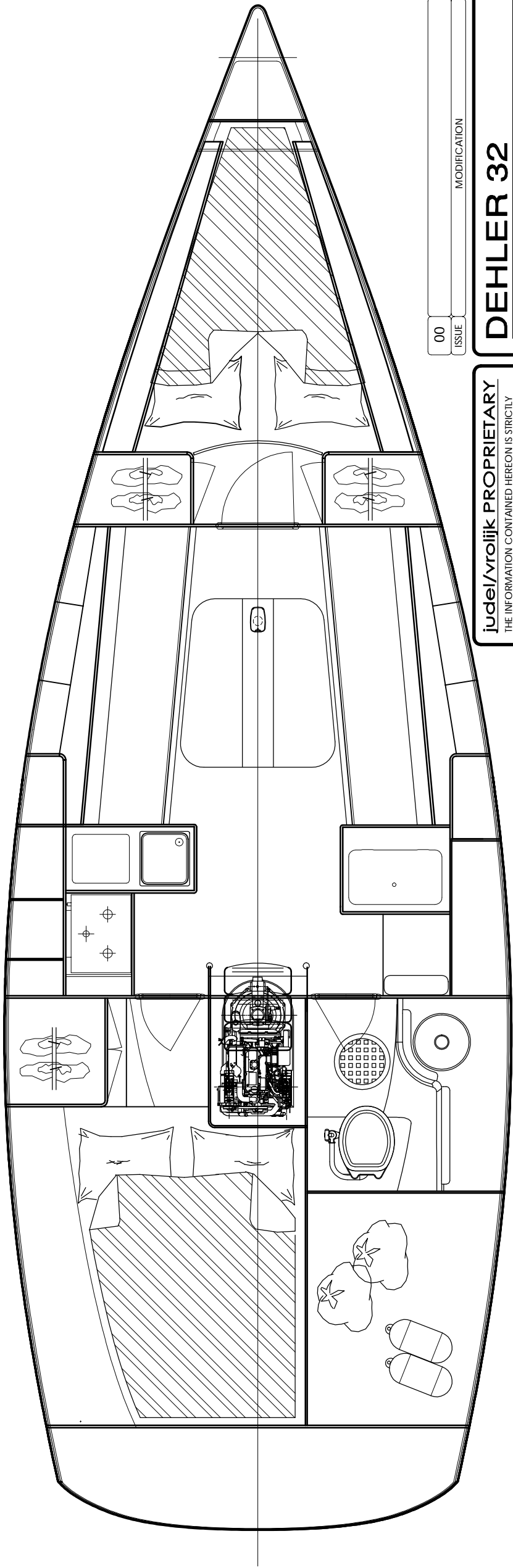
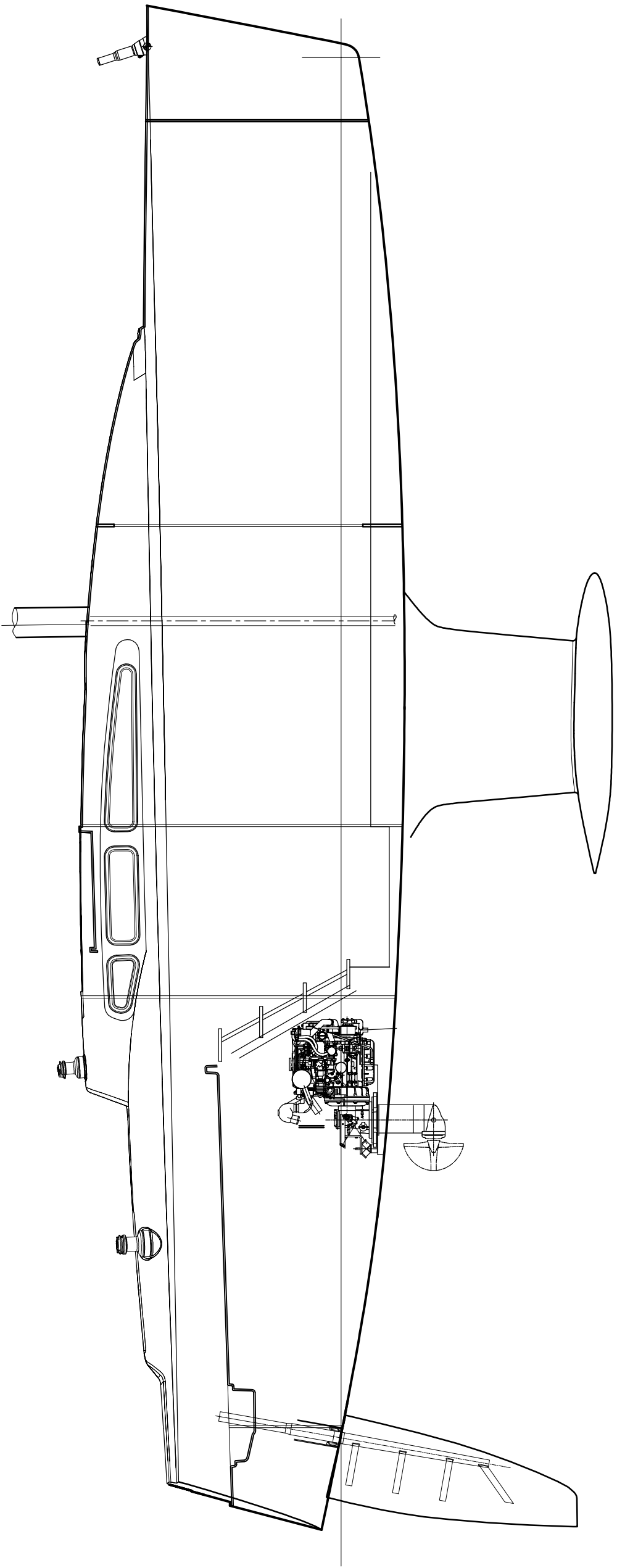
Judel/vrolijk PROPRIETARY
 THE INFORMATION CONTAINED HEREON IS STRICTLY CONFIDENTIAL AND IS SUBJECT TO A CONFIDENTIALITY AGREEMENT AND A PERSON USING OR DISCLOSING THE INFORMATION CONTAINED HEREON IN BREACH OF SUCH AGREEMENT SHALL BE SUBJECT TO AN ACTION TO ENJOIN SUCH USE AND A SUIT FOR DAMAGES.

Judel/vrolijk PROPRIETARY
 ALL DIMENSIONS ON THIS DRAWING ARE TO BE CHECKED ON THE BOAT! DUE TO BUILDING TOLERANCES ALL DIMENSIONS GIVEN ON THIS DRAWING ARE TO BE CHECKED ON THE BOAT! ALL DIMENSIONS ON THIS DRAWING ARE GIVEN IN mm.

DEHLER 32
SAIL PLAN
 Judel/vrolijk & co - engineering gmbh
 AM ALTEN VORHAFEN 8
 27568 BREMERHAVEN
 GERMANY
 TELEFON +49 (0)471 30 88 110
 TELEFAX +49 (0)471 30 88 1130
 E-MAIL info@judel-vrolijk.com

ISSUE	00	MODIFICATION	
DATE	09/11/09	DRAWN BY	PDG
APPROVED			

1 OF 1	SCALE	1 : 50
SHEET	DRAWING NUMBER	DE32-1140-750

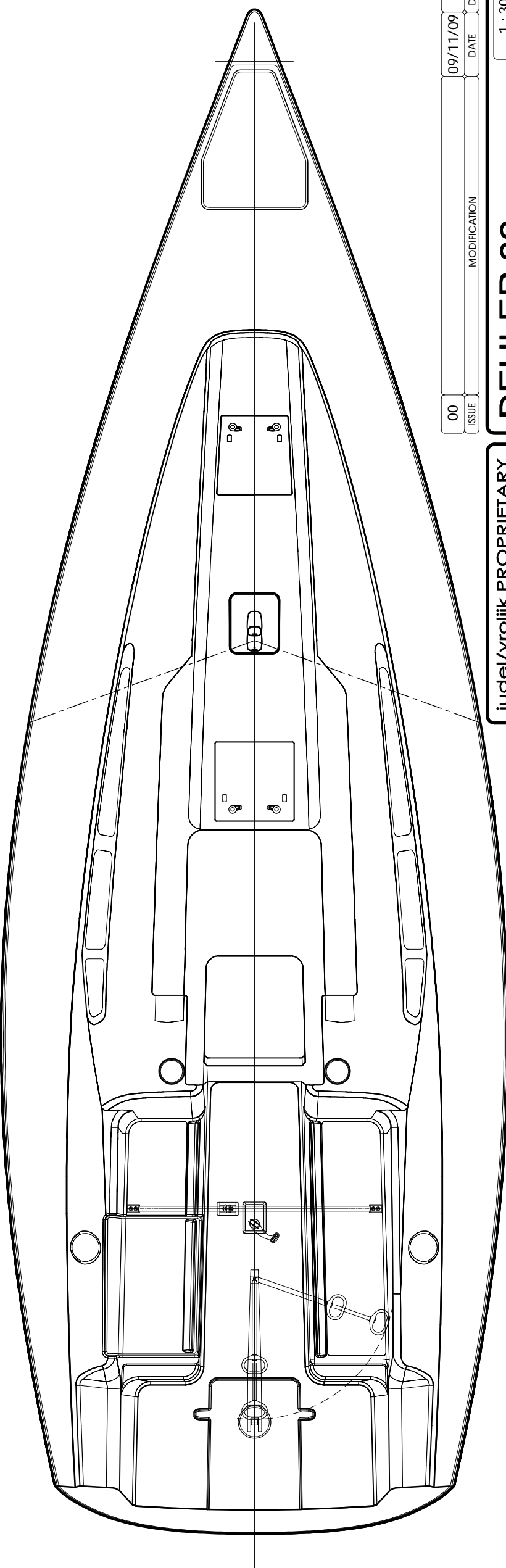
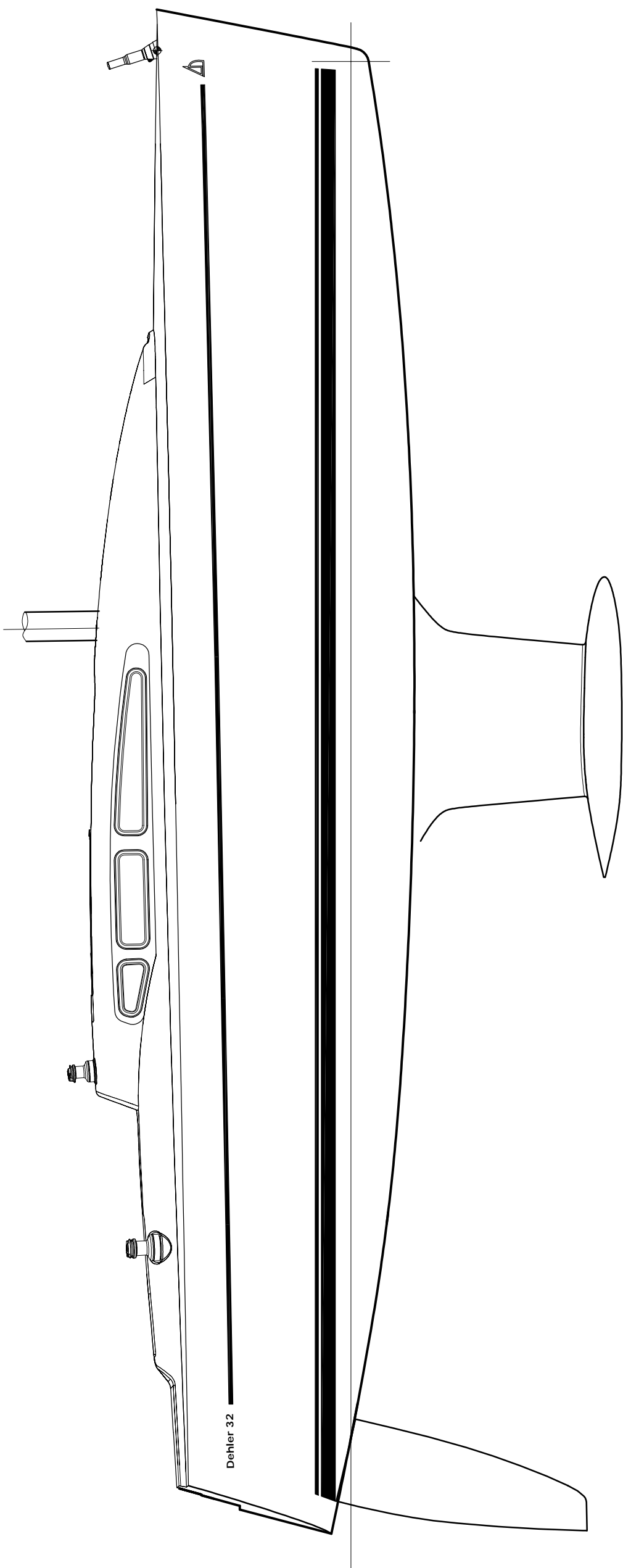


00	ISSUE	MODIFICATION	09/11/09	DATE	PDG	DRAWN BY	APPROVED
DEHLER 32			1 : 30	SCALE	1 OF 1 SHEET		
INTERIOR LAYOUT			DE32-1160-750	DRAWING NUMBER			

judel/vrolijk & co - engineering gmbh
 AM ALTEN VORHAVEN 8
 27568 BREMERHAVEN
 GERMANY
 TELEFON +49 (0)471 30 88 110
 TELEFAX +49 (0)471 30 88 1130
 E-MAIL info@judel-vrolijk.com

judel/vrolijk PROPRIETARY
 THE INFORMATION CONTAINED HEREON IS STRICTLY CONFIDENTIAL AND IS SUBJECT TO A CONFIDENTIALITY AGREEMENT AND A PERSON USING OR DISCLOSING THE INFORMATION CONTAINED HEREON IN BREACH OF SUCH AGREEMENT SHALL BE SUBJECT TO AN ACTION TO ENJOIN SUCH USE AND A SUIT FOR DAMAGES.

DUE TO BUILDING TOLERANCES ALL DIMENSIONS GIVEN ON THIS DRAWING ARE TO BE CHECKED ON THE BOAT!
 ALL DIMENSIONS ON THIS DRAWING ARE GIVEN mm.



00	09/11/09	PDG
ISSUE	DATE	DRAWN BY / APPROVED
MODIFICATION		
1 : 30	1 OF 1	
SCALE	SHEET	
DE32-1130-750		
DRAWING NUMBER		

DEHLER 32
DECK PLAN

judel/vrolijk & co - engineering gmbh
 AM ALTEN VORHAVEN 8
 27568 BREMERHAVEN
 GERMANY
 TELEFON +49 (0)471 30 88 110
 TELEFAX +49 (0)471 30 88 1130
 E-MAIL info@judel-vrolijk.com

judel/vrolijk PROPRIETARY
 THE INFORMATION CONTAINED HEREON IS STRICTLY CONFIDENTIAL AND IS SUBJECT TO A CONFIDENTIALITY AGREEMENT AND A PERSON USING OR DISCLOSING THE INFORMATION CONTAINED HEREON IN BREACH OF SUCH AGREEMENT SHALL BE SUBJECT TO AN ACTION TO ENJOIN SUCH USE AND A SUIT FOR DAMAGES.

DUE TO BUILDING TOLERANCES ALL DIMENSIONS GIVEN ON THIS DRAWING ARE TO BE CHECKED ON THE BOAT! ALL DIMENSIONS ON THIS DRAWING ARE GIVEN mm.